



**SPECIFICATIONS**

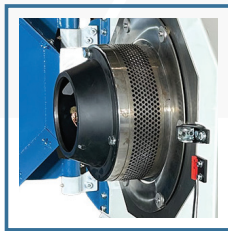
**Motor**  
 50 HP

**Capacity / HR**  
 500- 2,500 LBS

**Die Inner Dia.**  
 10" Ring

**Dimensions (IN)**  
 75" L x 35" W x 85" H

**Weight**  
 3,000 LBS



**COMMON MATERIALS**

Alfalfa	Oats	Wheat
Corn	Plastics	Fertilizer
General Feed	Poultry Litter	Carbon
Hemp/Cannabis	Soybean Meal	


**INDUSTRIES**

Fertilizer	Ethanol	Recycling & Plastics
Animal Feed	Hemp/Cannabis	Rendering
Aquaculture	Hops	Food Processing
Chemicals	Pet Food	Soft Wood

**MILL-R50 PELLET MILL**

*Lifetime Engineering, Technical & Application Support*

The R50 is an industrial pilot to production scale ring die pellet mill, engineered for companies seeking dependable output with streamlined operation. Featuring a simple belt drive system and built-in flexibility, the R50 produces up to 2,500 lbs per hour and is ideal for a wide range of materials including biomass, feed, fertilizer, plastics, and more.

 *Our equipment is engineered in the USA and supported in the USA*

**OPTIONS**

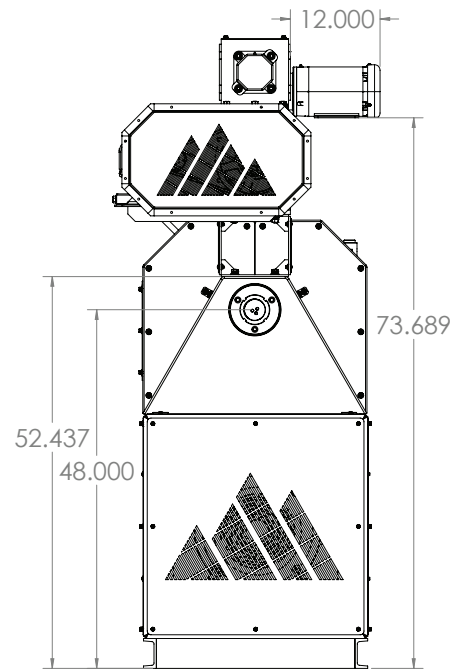
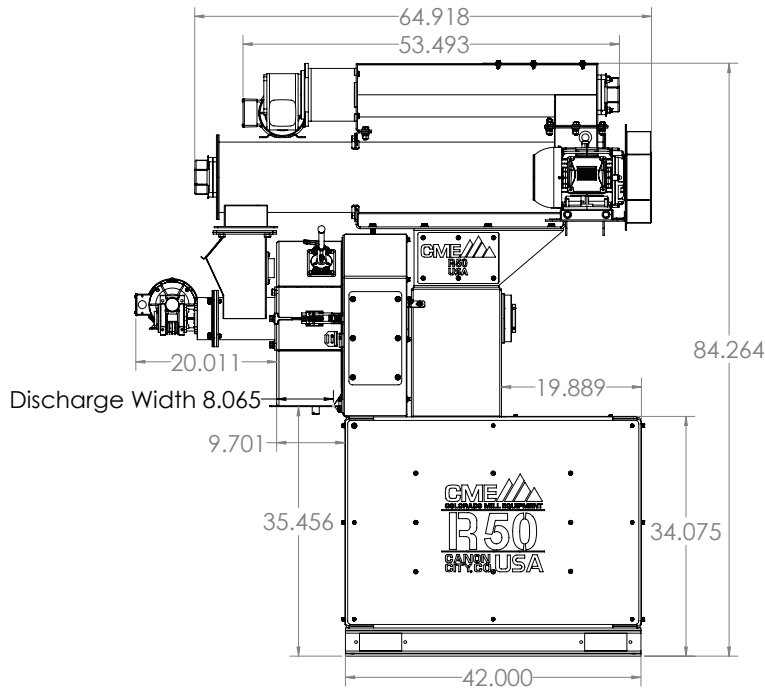
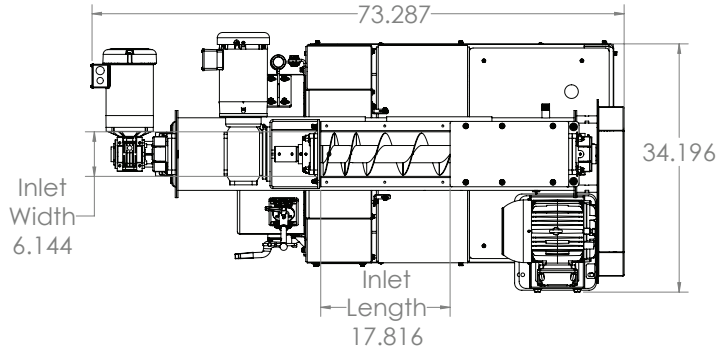
- ▶ Change Parts Required: New Die
- ▶ Change Parts Required: Roller Assembly Set
- ▶ Stainless Conditioner
- ▶ Stainless Feeder
- ▶ Force Feeder
- ▶ Isolation Pad Set
- ▶ Nitrogen Ports
- ▶ Food Grade Grease
- ▶ Safety Control Panel

**RULE BREAKING TECHNOLOGY**

- ▶ New Dies Available: 1/8", 5/32", 3/16", 1/4", 3/8" 1/2"
- ▶ Custom Die Sizes Available Upon Request
- ▶ Simple and Reliable Belt Drive System
- ▶ Mounted on Heavy Duty Welded Steel Frame
- ▶ Safety Stickers With Icons
- ▶ Safety Guards Over All Pulleys and Bearings
- ▶ Stainless Steel Hinged Door With Safety Interlock
- ▶ Easy-adjust Knife Posts to Change Pellet Length
- ▶ Feed-chute With Hinged Door For Lab Runs & Clean Out
- ▶ Designed and built in Canon City Colorado USA
- ▶ Over 1,000 Pellet Mills Sold Worldwide
- ▶ CME's Signature 1-Year Manufacturer's Warranty

# MILL-R50 PELLET MILL

*\*OUTPUTS CAN VARY. PLEASE CALL FOR CAPACITY ON YOUR PRODUCTS.*



**Alfalfa / Feed**

**Fertilizer**

**Wood / Biomass**

**Plastics / Recycling**

