

MILL-R35 PELLET MILL

Lifetime Engineering, Technical & Application Support

The MILL-R35 is an economical pilot-to-production scale ring die pellet mill, boasting a dependable belt drive system. With a 30 HP motor it has the capacity to produce 500 to 2500 lbs per hour, depending on the material.

 *Our equipment is engineered in the USA and supported in the USA*

OPTIONS

- ▶ Change Parts Required: New Die
- ▶ Change Parts Required: Rollar Assembly Set
- ▶ Stainless Conditioner
- ▶ Stainless Feeder with Inverter Duty Motor
- ▶ Force Feeder
- ▶ Isolation Pad Set
- ▶ Nitrogen Ports
- ▶ Food Grade Grease
- ▶ Safety Control Panel

SPECIFICATIONS

Motor 30 HP	Dimensions (IN) 75" L x 35" W x 85" H
Capacity / HR 500- 2550 LBS	Weight 2550 LBS
Die Inner Dia 10" Ring	

COMMON MATERIALS

Alfalfa	Oats	Wheat
Corn	Plastics	Fertilizer
General Feed	Poultry Litter	Carbon
Hemp/Cannabis	Soybean Meal	

INDUSTRIES

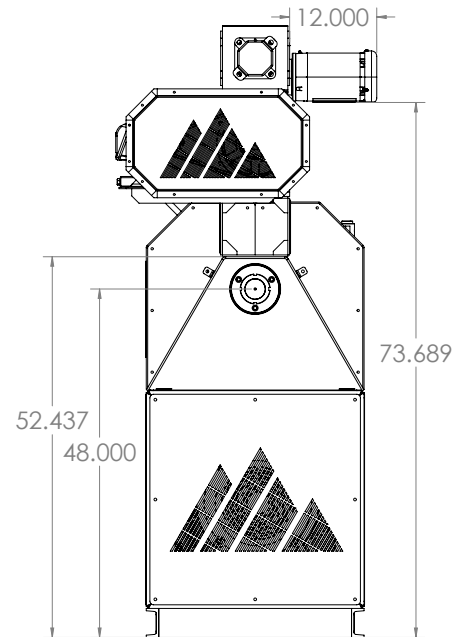
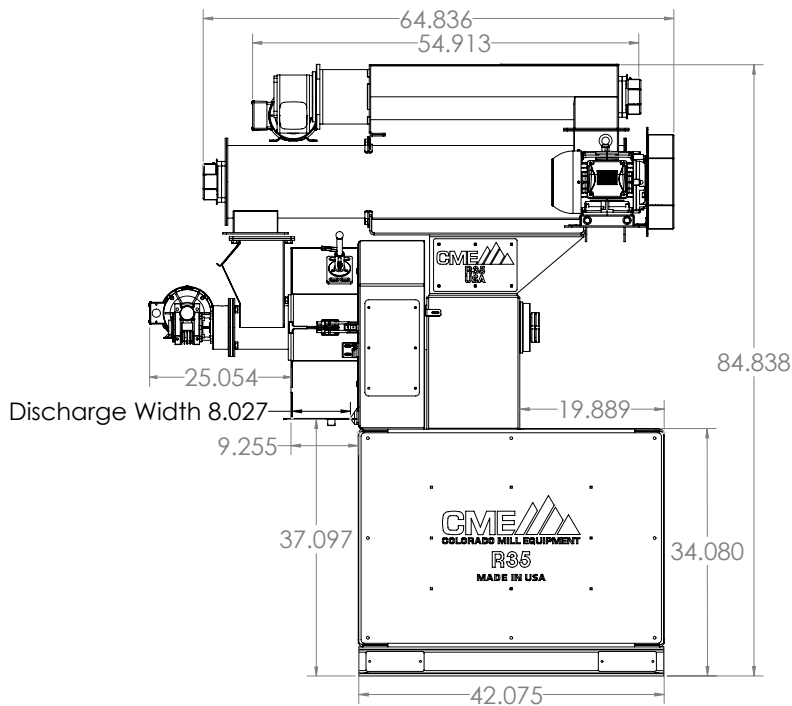
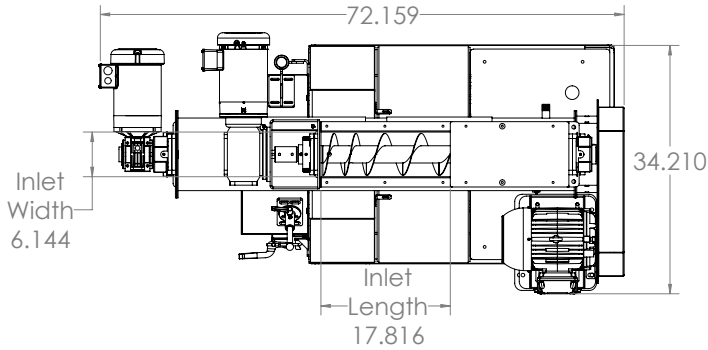
Fertilizer	Ethanol	Recycling & Plastics
Animal Feed	Hemp/Cannabis	Rendering
Aquaculture	Hops	Food Processing
Chemicals	Pet Food	

RULE BREAKING TECHNOLOGY

- ▶ Equipped with 30 HP TEFC, 3-phase motor
- ▶ New dies available: 1/8" to 1/2"
- ▶ Custom die sizes available upon request
- ▶ Simple and reliable belt drive system
- ▶ Mounted on a steel frame
- ▶ Safety stickers with icons
- ▶ Safety guards over all pulleys and bearings
- ▶ Stainless steel hinged door with safety interlock
- ▶ Easy-adjust knife posts to change pellet length
- ▶ Feed-chute with hinged door for lab runs/die clean-out
- ▶ Operator's manual included
- ▶ Designed, assembled, & supported in the USA
- ▶ CME's Signature 1-Year Manufacturer's Warranty

MILL-R35 PELLET MILL

**OUTPUTS CAN VARY. PLEASE CALL FOR CAPACITY ON YOUR PRODUCTS.*



Alfalfa

Animal Feed

Recycling & Plastics

Hops

